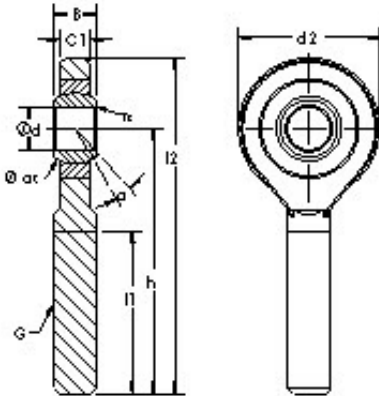




BEARING PRECISION AXLE CORP.



SAJK14C Bearing 2D drawings and 3D CAD models

AST SAK14C plain bearings

Bearing No. SAJK14C

Bore Diameter	14 mm
Width	19 mm
Bearing Type - steel-on-PTFE composite	steelonPTFE composite
Bore Dia (d)	14.0000
Width (B)	19.0000
Radius (min) (rs)	0.300
Dynamic Load Rating (Cr)	19,000
Static Load Rating (Cor)	24,000
Spherical Diameter (dk or Dk)	25.400
Mis-alignment Angle (a deg.)	14
Thread Length (l1)	36.000
Bore Center to End of Rod (h)	60.000
Rod Overall Length (l2)	79.000
Rod End Thickness (C1)	14.500
Thread Size (G)	M14
Rod End Width (d2)	38.000
Weight (g)	170.00
Material - Body - Carbon steel-zinc plated, Ball - Hardened chrome steel-chrome plated, Liner	PTFE composite material