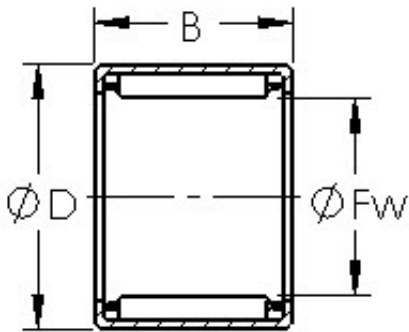




## BEARING PRECISION AXLE CORP.



### AST SCE3416 needle roller bearings

Bearing No. SCE3416

Bore Diameter	53,975 mm
Outer Diameter	63,5 mm
Width	25,4 mm
Bearing Type	Cage Retained Rollers
Outer Dia (D)	2.5000
Width (B)	1.0000
Dynamic Load Rating (Cr)	11,200
Static Load Rating (Cor)	23,200
Max Speed (Grease) (X1000 RPM)	5,200
Shaft (Fw)	2.125
Weight (g)	116.00
Material - Drawn cup: Hardened carbon steel alloy, Rollers	52100 Chrome steel or equivalent

SCE3416 Bearing 2D drawings and 3D CAD models