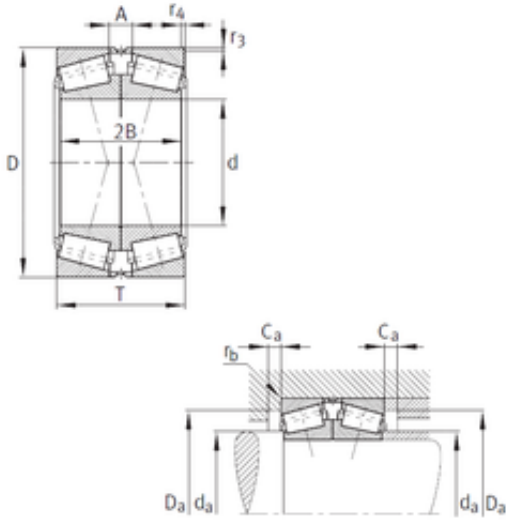




BEARING PRECISION AXLE CORP.



FAG 32944-N11CA-A420-470 tapered roller bearings

Bearing No. 32944-N11CA-A420-470

Size	220x300x102 mm
Bore Diameter	220 mm
Outer Diameter	300 mm
Width	102 mm
d	220 mm
D	300 mm
T	102 mm
r3 min.	2,5 mm
r4 min.	2,5 mm
2B	102 mm
A	24 mm
Ca max.	10 mm
da max	235 mm
Da min	275 mm
Da max.	288 mm
rb max.	2,5 mm
Weight	20,3 Kg
Basic dynamic load rating (C)	850 kN
Basic static load rating (C0)	1960 kN
Fatigue load limit (Pu)	221
Reference speed	1 020 r/min
Limiting speed	2 100 r/min
Calculation factor (e)	0,43
Calculation factor (Y0)	1,55
Calculation factor (Y1)	1,59

32944-N11CA-A420-470 Bearing 2D drawings and 3D CAD models



BEARING PRECISION AXLE CORP.