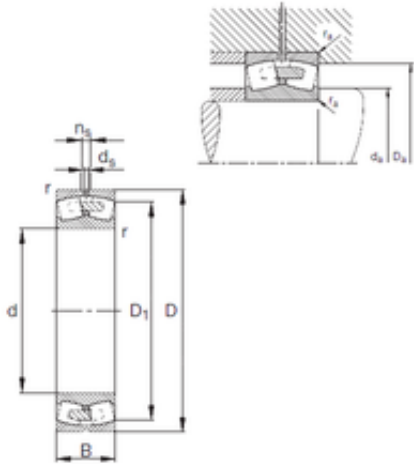




BEARING PRECISION AXLE CORP.

380 mm x 620 mm x 194 mm FAG 23176-E1A-MB1 spherical roller bearings



Bearing No. 23176-E1A-MB1

23176-E1A-MB1 Bearing 2D drawings and 3D CAD models

Size	380x620x194 mm
Bore Diameter	380 mm
Outer Diameter	620 mm
Width	194 mm
d	380 mm
D	620 mm
B	194 mm
C	194 mm
n	23,5 mm
r min.	5 mm
D1	543,6 mm
da min.	400 mm
Da max.	600 mm
ra max.	4 mm
d5	12,5 r/min
Weight	232 Kg
Basic dynamic load rating (C)	4700 kN
Basic static load rating (C0)	7600 kN
Fatigue load limit (Pu)	530
Reference speed	530 r/min
Limiting speed	1 050 r/min
Calculation factor (e)	0,3
Calculation factor (Y0)	2,2
Calculation factor (Y1)	2,25
Calculation factor (Y2)	3,34



BEARING PRECISION AXLE CORP.