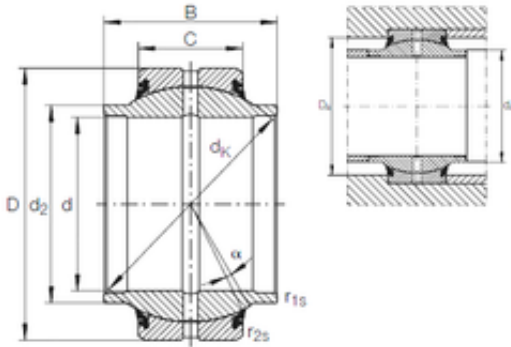




# BEARING PRECISION AXLE CORP.

50 mm x 75 mm x 43 mm INA GE 50 HO-2RS  
plain bearings



GE 50 HO-2RS Bearing 2D drawings and 3D CAD models

Bearing No. GE 50 HO-2RS

Size	50x75x43 mm
Bore Diameter	50 mm
Outer Diameter	75 mm
Width	43 mm
d	50 mm
D	75 mm
B	43 mm
C	28 mm
d2	56,5 mm
dk	66 mm
r1 min.	0,3 mm
r2 min.	1 mm
da max	56,5 mm
Da min	63 mm
Angle	3 °
Weight	0,55 Kg
Basic dynamic load rating (C)	156 kN