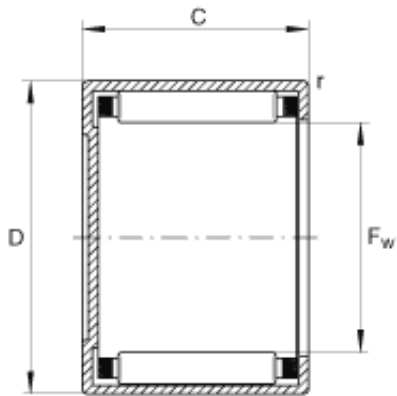




BEARING PRECISION AXLE CORP.

INA BCH1820 needle roller bearings



Bearing No. BCH1820

Size	28.575x38.1x31.75 mm
Bore Diameter	28,575 mm
Outer Diameter	38,1 mm
Width	31,75 mm
F_w	1 1/8 inch
F_w	28,575 mm
D	1,5 inch
D	38,1 mm
C	1,25 inch
C	31,75 mm
m	0,121 lbs / Weight
m	55 g / Weight
C_r	9200 lbf / Dynamic load rating (radial)
C_r	40900 N / Dynamic load rating (radial)
C_{0r}	14500 lbf / Static load rating (radial)
C_{0r}	64500 N / Static load rating (radial)
n_G	9800 1/min / Limiting speed

BCH1820 Bearing 2D drawings and 3D CAD models