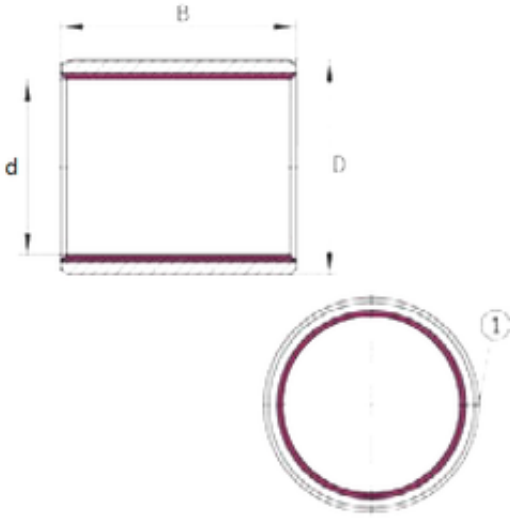




# BEARING PRECISION AXLE CORP.



50 mm x 55 mm x 60 mm INA EGB5060-E40  
plain bearings

Bearing No. EGB5060-E40

EGB5060-E40 Bearing 2D drawings and 3D CAD models

Size	50x55x60 mm
Bore Diameter	50 mm
Outer Diameter	55 mm
Width	60 mm
d	50 mm
D	55 mm
B	60 mm
Category	Sleeve Bearings
Inventory	0.0
Manufacturer Name	SCHAEFFLER GROUP
Minimum Buy Quantity	N/A
Weight / Kilogram	0.225
EAN	4012802759938
Product Group	B04264
Profile	Bushing No Flange Split
Material Description	Steel Backing, Bronze Innerstructure, PTFE-lead Overlay
Material	Permaglide P10
Inch - Metric	Metric
Long Description	50MM Nominal Bore; 55MM Nominal Outside Diameter; 60MM Length Thru Bore; Bushing No Flange Split Profile; Steel Backing, Bronze Innerstructure, PTFE-lead Overlay; Permaglide P10



## BEARING PRECISION AXLE CORP.

	Material
Category	Sleeve Bearings
UNSPSC	31171515
Harmonized Tariff Code	84833080
Noun	Bearing
Keyword String	Plain
Manufacturer URL	<a href="http://www.ina.com">http://www.ina.com</a>
Manufacturer Item Number	PAP5060P10
Weight / LBS	0.497
Length Thru Bore	2.362 Inch   60 Millimeter
Nominal Outside Diameter	2.165 Inch   55 Millimeter
Nominal Bore	1.969 Inch   50 Millimeter