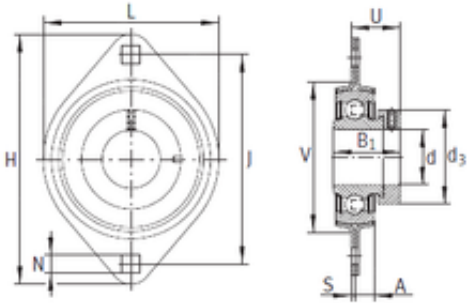




BEARING PRECISION AXLE CORP.

INA RAT30 bearing units



RAT30 Bearing 2D drawings and 3D CAD models

Bearing No. RAT30

Bore Diameter	30 mm
d	30 mm
V	71 mm
U	29,2 mm
d3	44 mm
A	8,7 mm
B1	35,7 mm
H	112,7 mm
J	90,5 mm
L	84 mm
N	10,5 mm
S	2,5 mm
Category	Flange Block Bearings
Inventory	0.0
Manufacturer Name	SCHAEFFLER GROUP
Minimum Buy Quantity	N/A
Weight / Kilogram	0.49
EAN	4012802793321
Product Group	M06110
Number of Mounting Holes	2
Mounting Method	Eccentric Collar
Housing Style	2 Bolt Flange Block
Rolling Element	Ball Bearing
Housing Material	Stamped Steel
Expansion / Non-expansion	Non-expansion
Mounting Bolts	10.5 Millimeter



BEARING PRECISION AXLE CORP.

Relubricatable	No
Insert Part Number	RAE30NPPB
Seals	Double Lip Contact
Housing Configuration	1 Piece Solid
Pilot Configuration	No Pilot
Inch - Metric	Metric
Long Description	2 Bolt Flange Block; 30MM Bore; 90.5MM Bolt Circle; 90.5MM Bolt Spacing; 1 Piece Solid; Eccentric Collar Mount; Stamped Steel; Ball Bearing; 35.7MM Length Thru Bore; No Relubricatable; Double Lip Cont
Other Features	Single Row With Set Screw
Category	Flange Block
UNSPSC	31171501
Harmonized Tariff Code	8483.20.40.40
Noun	Bearing
Keyword String	Flanged
Manufacturer URL	http://www.ina.com
Manufacturer Item Number	RAT30
Weight / LBS	1.08
Bolt Spacing	3.563 Inch 90.5 Millimeter
Cartridge Pilot Depth	0 Inch 0 Millimeter
Cartridge Pilot Diameter	0 Inch 0 Millimeter
Bore	1.181 Inch 30 Millimeter
Length Thru Bore	1.406 Inch 35.7 Millimeter
Nominal Bolt Circle Diameter Round	3.6 Inch 90.5 Millimeter