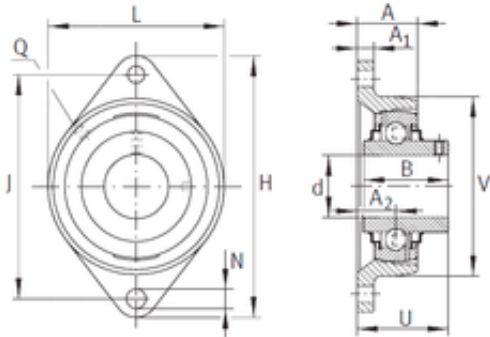




BEARING PRECISION AXLE CORP.

INA RCJTY1-3/16 bearing units



Bearing No. RCJTY1-3/16

Bore Diameter	30,163 mm
d	30,163 mm
V	80,493 mm
U	42,189 mm
Thread (Q)	1/8 NPT
A	32,512 mm
A1	13,005 mm
B	38,1 mm
H	142,011 mm
J	116,51 mm
L	80,493 mm
N	11,506 mm
A2	19,99 mm

RCJTY1-3/16 Bearing 2D drawings and 3D CAD models