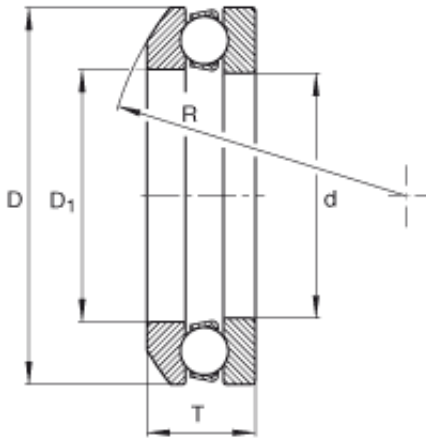




BEARING PRECISION AXLE CORP.

INA 52YM04Z thrust ball bearings

Bearing No. 52YM04Z



52YM04Z Bearing 2D drawings and 3D CAD models

Size	133.375x184.63x37.34 mm
Bore Diameter	133,375 mm
Outer Diameter	184,63 mm
Width	37,34 mm
d	5,251 inch
d	133,375 mm
D	7,269 inch
D	184,63 mm
T	1,47 inch
T	37,34 mm
D ₁	5,396 inch
D ₁	137,058 mm
R	217,5 mm
m	6,24 lbs / Weight
m	2,83 kg / Weight
C _a	29000 lbf / Dynamic load rating (axial)
C _a	128000 N / Dynamic load rating (axial)
C _{0a}	91000 lbf / Static load rating (axial)
C _{0a}	405000 N / Static load rating (axial)