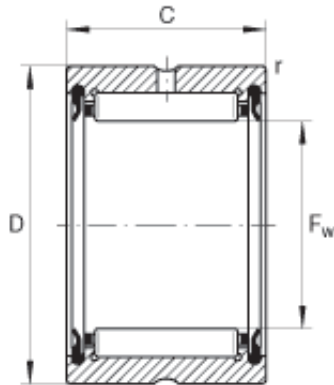




BEARING PRECISION AXLE CORP.

INA RNA4902-2RSR needle roller bearings



Bearing No. RNA4902-2RSR

Size	20x28x13 mm
Bore Diameter	20 mm
Outer Diameter	28 mm
Width	13 mm
F_w	20 mm
D	28 mm
C	13 mm
r_{min}	0,3 mm
m	21,5 g / Weight
C_r	9700 N / Dynamic load rating (radial)
C_{Or}	10300 N / Static load rating (radial)
C_{ur}	2040 N / Fatigue limit load, radial
$n_{G\text{ Fett}}$	10000 1/min / Limiting speed for grease lubrication
Category	Needle Non Thrust Roller Bearings
Inventory	0.0
Manufacturer Name	SCHAEFFLER GROUP
Minimum Buy Quantity	N/A
Weight / Kilogram	0.02
EAN	4012802283709
Product Group	B04144
Rolling Element	Needle Roller Bearing
Component	Roller Assembly with Outer Ring - No Inner Ring

RNA4902-2RSR Bearing 2D drawings and 3D CAD models



BEARING PRECISION AXLE CORP.

Enclosure	2 Seals
Self Aligning	No
Retainer	Yes
Number of Rows of Rollers	Single Row
Separable	No
Closed End	No
Inch - Metric	Metric
Relubricatable	Yes
Thrust Bearing	No
Long Description	20MM Bore; 28MM Outside Diameter; 13MM Width; Needle Roller Bearing; Roller Assembly with Outer Ring - No Inner Ring; 2 Seals; Not Self Aligning; Retainer; Single Row of Rollers; Not Separable; Not CI
Other Features	2 Rib Outer Ring Precision Steel Cage Ground Raceway with Rib Oil Hole
Category	Needle Non Thrust Roller Bearing
UNSPSC	31171512
Harmonized Tariff Code	8482.99.65.30
Noun	Roller Assembly with Outer Ring
Keyword String	Bearing Needle
Manufacturer URL	http://www.ina.com
Manufacturer Item Number	RNA49022RS
Weight / LBS	0.047
Width	0.512 Inch 13 Millimeter
Bore	0.787 Inch 20 Millimeter
Outside Diameter	1.102 Inch 28 Millimeter