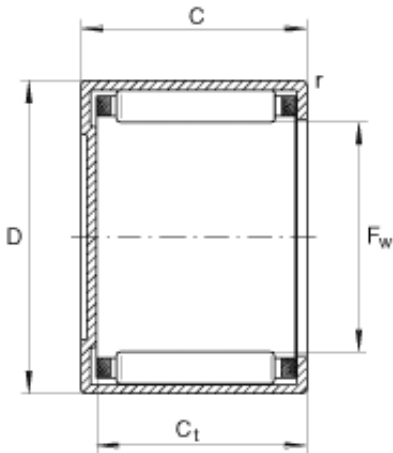




BEARING PRECISION AXLE CORP.



BK0912 Bearing 2D drawings and 3D CAD models

INA BK0912 needle roller bearings

Bearing No. BK0912

Size	9x13x12 mm
Bore Diameter	9 mm
Outer Diameter	13 mm
Width	12 mm
F_w	9 mm
D	13 mm
C - 12 mm / Tolerance: -0,3	12 mm / Tolerance: 0,3
$C_{t\min}$	10,4 mm
r_{\min}	0,4 mm
m	4,9 g / Weight
C_r	5300 N / Dynamic load rating (radial)
C_{0r}	6300 N / Static load rating (radial)
C_{ur}	860 N / Fatigue limit load, radial
n_G	26500 1/min / Limiting speed
n_B	18700 1/min / Reference speed
	IR6X9X12 / Suitable inner ring
Category	Needle Non Thrust Roller Bearings
Inventory	0.0
Manufacturer Name	SCHAEFFLER GROUP
Minimum Buy Quantity	N/A
Weight / Kilogram	0.01



BEARING PRECISION AXLE CORP.

EAN	4012802022261
Product Group	B04144
Rolling Element	Needle Roller Bearing
Component	Roller Assembly with Outer Ring - No Inner Ring
Enclosure	Open
Self Aligning	No
Retainer	Yes
Number of Rows of Rollers	Single Row
Separable	No
Closed End	Yes
Inch - Metric	Metric
Relubricatable	No
Thrust Bearing	No
Long Description	9MM Bore; 13MM Outside Diameter; 12MM Width; Needle Roller Bearing; Roller Assembly with Outer Ring - No Inner Ring; Open; Not Self Aligning; Retainer; Single Row of Rollers; Not Separable; Closed End
Other Features	1 Rib Outer Ring Drawn Cup Bearing Steel Cage
Category	Needle Non Thrust Roller Bearing
UNSPSC	31171512
Harmonized Tariff Code	8482.99.65.30
Noun	Roller Assembly with Outer Ring
Keyword String	Bearing Needle
Manufacturer URL	http://www.ina.com
Manufacturer Item Number	BK0912
Weight / LBS	0.01
Width	0.472 Inch 12 Millimeter



BEARING PRECISION AXLE CORP.

Bore	0.354 Inch 9 Millimeter
Outside Diameter	0.512 Inch 13 Millimeter