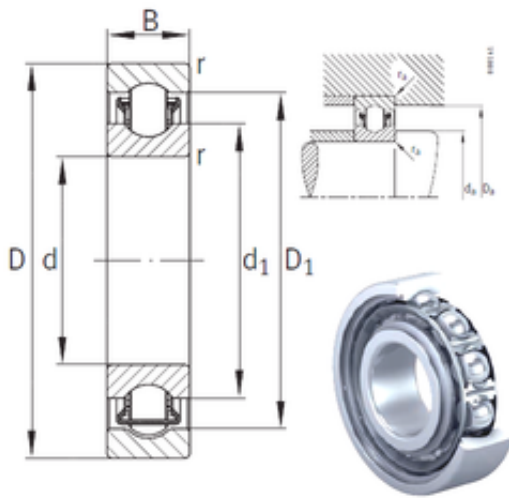




## BEARING PRECISION AXLE CORP.



BXRE304 Bearing 2D drawings and 3D CAD models

20 mm x 52 mm x 15 mm INA BXRE304 needle roller bearings

Bearing No. BXRE304

Size	20x52x15 mm
Bore Diameter	20 mm
Outer Diameter	52 mm
Width	15 mm
d	20 mm
D	52 mm
B	15 mm
C	15 mm
d1	31,2 mm
r min.	1,1 mm
D1	42,2 mm
da min.	27 mm
Da max.	45 mm
ra max.	1 mm
Weight	0,151 Kg
Basic dynamic load rating (C)	23,2 kN
Basic static load rating (C0)	23,2 kN
Fatigue load limit (Pu)	680
Reference speed	10 400 r/min