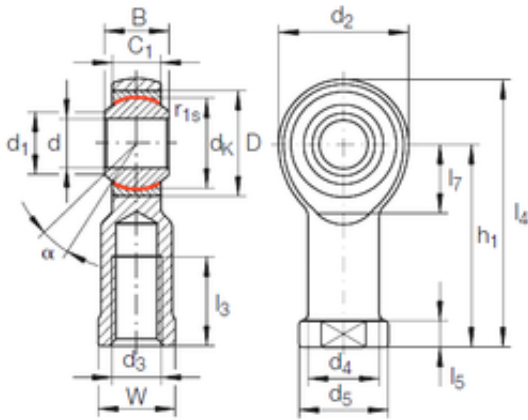




BEARING PRECISION AXLE CORP.

30 mm x 55 mm x 37 mm INA GIKR 30 PW plain bearings



GIKR 30 PW Bearing 2D drawings and 3D CAD models

Bearing No. GIKR 30 PW

Size	30x55x37 mm
Bore Diameter	30 mm
Outer Diameter	55 mm
Width	37 mm
d	30 mm
D	55 mm
B	37 mm
d1	34,8 mm
d2	70 mm
d4	40 mm
dk	50,8 mm
h1	110 mm
l3 min.	51 mm
l4 max.	145 mm
l5	15 mm
l7 min.	37 mm
r1 min.	0,3 mm
C1	25 mm
W	41 mm
Thread (G)	M30X2
Angle	17 °
d5	50 r/min
Weight	1,1 Kg
Basic dynamic load rating (C)	114 kN