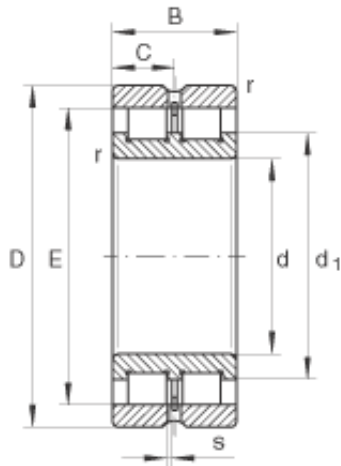




BEARING PRECISION AXLE CORP.



340 mm x 420 mm x 80 mm INA SL024868
cylindrical roller bearings

Bearing No. SL024868

SL024868 Bearing 2D drawings and 3D CAD models

Size	340x420x80 mm
Bore Diameter	340 mm
Outer Diameter	420 mm
Width	80 mm
d	340 mm
D	420 mm
B	80 mm
C	40 mm
d ₁	368,1 mm
E	396,9 mm
r _{min}	2,1 mm
s	6 mm / Axial displacement
	NNCL4868V / Designation to DIN 5412
m	25 kg / Weight
C _r	870000 N / Dynamic load rating (radial)
C _{0r}	2330000 N / Static load rating (radial)
C _{ur}	244000 N / Fatigue limit load, radial
n _G	810 1/min / Limiting speed
Category	Cylindrical Roller Bearings
Inventory	0.0
Manufacturer Name	SCHAEFFLER GROUP
Minimum Buy Quantity	N/A



BEARING PRECISION AXLE CORP.

Weight / Kilogram	29.96
EAN	4012802466904
Product Group	B04144
Bore Profile	Straight
Cage Material	None
Precision Class	RBEC 1 ISO P0
Number of Rows of Rollers	Double Row
Separable	Outer Ring - Both Sides
Rolling Element	Cylindrical Roller Bearing
Profile	Complete with Outer and Inner Ring
Snap Ring	No
Internal Clearance	C0-Medium
Retainer	No
Relubricatable	Yes
Inch - Metric	Metric
Other Features	Full Complement 3 Rib Inner Ring Plain Outer Ring Operating Temperature From -30 to 120 Deg
Long Description	340MM Bore; Straight Bore Profile; 420MM Outside Diameter; 80MM Width; RBEC 1 ISO P0; Double Row; Outer Ring - Both Sides Separable; No Snap Ring; Relubricatable; C0-Medium Internal Clearance; No Re
Category	Cylindrical Roller Bearing
UNSPSC	31171547
Harmonized Tariff Code	8482.50.00.00
Noun	Bearing
Manufacturer URL	http://www.ina.com
Manufacturer Item Number	SL024868



BEARING PRECISION AXLE CORP.

Weight / LBS	66
Bore	13.386 Inch 340 Millimeter
Outside Diameter	16.535 Inch 420 Millimeter
Width	3.15 Inch 80 Millimeter