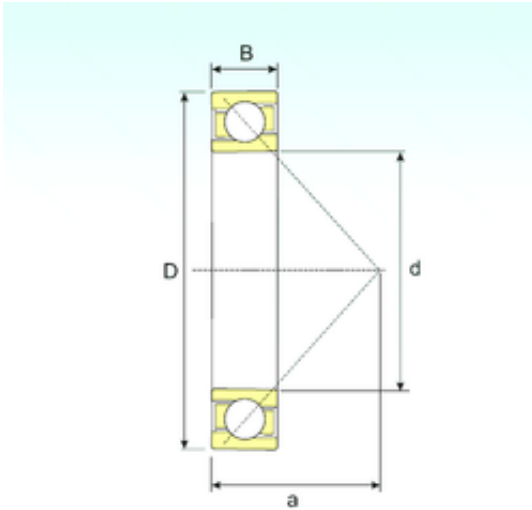




## BEARING PRECISION AXLE CORP.



7060 B Bearing 2D drawings and 3D CAD models

300 mm x 460 mm x 74 mm ISB 7060 B angular contact ball bearings

Bearing No. 7060 B

Size	300x460x74 mm
Bore Diameter	300 mm
Outer Diameter	460 mm
Width	74 mm
d	300 mm
D	460 mm
B	74 mm
C	74 mm
a	196 mm
Weight	42,5 Kg
Basic dynamic load rating (C)	377 kN
Basic static load rating (C0)	465 kN
(Grease) Lubrication Speed	900 r/min