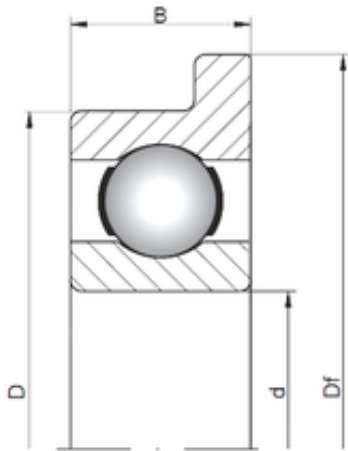




BEARING PRECISION AXLE CORP.



8 mm x 22 mm x 7 mm ISO FL608 deep groove ball bearings

Bearing No. FL608

Size	8x22x7 mm
Bore Diameter	8 mm
Outer Diameter	22 mm
Width	7 mm
d	8 mm
D	22 mm
B	7 mm
C	7 mm
Df	25 mm

FL608 Bearing 2D drawings and 3D CAD models