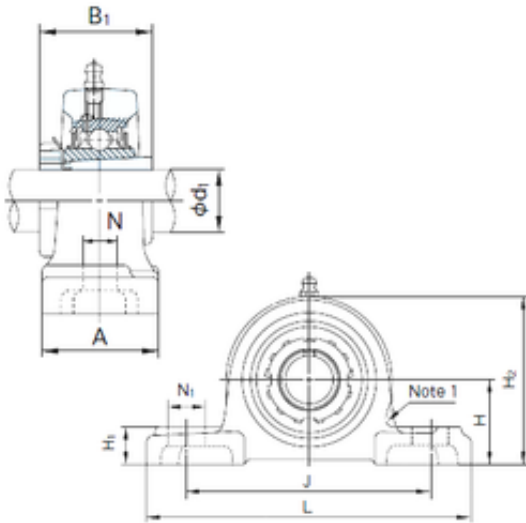




BEARING PRECISION AXLE CORP.

NACHI UKP324+H2324 bearing units

Bearing No. UKP324+H2324



UKP324+H2324 Bearing 2D drawings and 3D CAD models

Bore Diameter	110 mm
Width	160 mm
d	110 mm
A	140 mm
B1	112 mm
H	160 mm
H1	70 mm
H2	321 mm
J	450 mm
L	570 mm
N	40 mm
N1	55 mm
Bolt (G)	M33