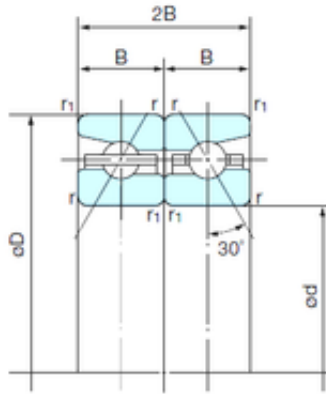




BEARING PRECISION AXLE CORP.

85 mm x 130 mm x 20,25 mm NACHI 85TAH10DB angular contact ball bearings



Bearing No. 85TAH10DB

Size	85x130x20.25 mm
Bore Diameter	85 mm
Outer Diameter	130 mm
Width	20,25 mm
d	85 mm
D	130 mm
B	20,25 mm
Angle (°)	30 °
r min.	1.1 mm
r1 min.	0.6 mm
2B	40,5 mm
Basic dynamic load rating (C)	42 kN
Basic static load rating (C0)	104 kN
(Grease) Lubrication Speed	5600 r/min

85TAH10DB Bearing 2D drawings and 3D CAD models