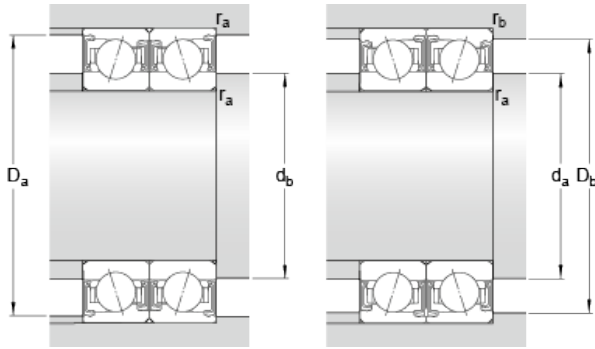




BEARING PRECISION AXLE CORP.



S7009 ACDTP/HCP4B SKF High Speed Angular Contact Ball Bearings

Bearing No. S7009 ACDTP/HCP4B

S7009 ACDTP/HCP4B Bearing 2D drawings and 3D CAD models

d	45 mm
D	75 mm
B	16 mm
d ₁	54.2 mm
d ₂	54.2 mm
D ₂	68.3 mm
r _{1,2} min.	1 mm
r _{3,4} min.	0.3 mm
a	22.1 mm
d _a min.	49.6 mm
d _a max.	53.7 mm
d _b min.	49.6 mm
d _b max.	53.7 mm
D _a max.	70.4 mm
D _b max.	73 mm
r _a max.	1 mm
r _b max.	0.3 mm
Basic dynamic load rating C	27.6 kN
Basic static load rating C ₀	21.6 kN
Fatigue load limit P _u	0.9 kN
Attainable speed for grease lubrication	20000 r/min
Ball diameter D _w	9.525 mm
Number of balls z	17
Preload class A G _A	170 N
Static axial stiffness, preload	146 N/ μ m



BEARING PRECISION AXLE CORP.

class A	
Preload class B G_B	340 N
Static axial stiffness, preload class B	192 N/ μ m
Preload class C G_C	680 N
Static axial stiffness, preload class C	254 N/ μ m
Preload class D G_D	1360 N
Static axial stiffness, preload class D	343 N/ μ m
Calculation factor f	1.09
Calculation factor f_1	0.99
Calculation factor f_{2A}	1
Calculation factor f_{2B}	1.02
Calculation factor f_{2C}	1.05
Calculation factor f_{2D}	1.08
Calculation factor f_{HC}	1.02
Calculation factor e	0.68
Calculation factor (single, tandem) Y_2	0.87
Calculation factor (back-to-back, face-to-face) Y_1	0.92
Calculation factor (back-to-back, face-to-face) Y_2	1.41
Mass bearing	0.2 kg