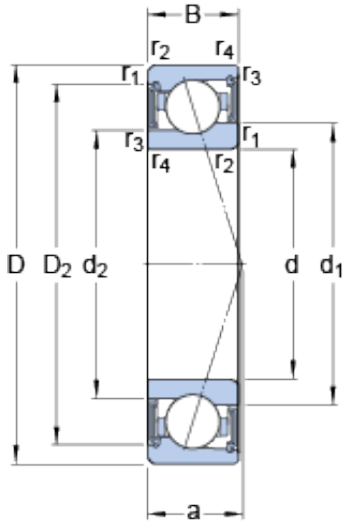




BEARING PRECISION AXLE CORP.



S71910 ACE/HCP4A SKF High Speed Angular Contact Ball Bearings

Bearing No. S71910 ACE/HCP4A

S71910 ACE/HCP4A Bearing 2D drawings and 3D CAD models

Size	72x50x12 mm
Bore Diameter	72 mm
Outer Diameter	50 mm
Width	12 mm
d	50 mm
D	72 mm
B	12 mm
d ₁	56.7 mm
d ₂	54.9 mm
D ₂	67.7 mm
r _{1,2} - min.	0.6 mm
r _{3,4} - min.	0.3 mm
a	21.2 mm
d _a - min.	53.2 mm
d _a - max.	56.1 mm
d _b - min.	52 mm
d _b - max.	54.5 mm
D _a - max.	68.8 mm
D _b - max.	70 mm
r _a - max.	0.6 mm
r _b - max.	0.3 mm
Basic dynamic load rating - C	12.1 kN
Basic static load rating - C ₀	8.2 kN
Fatigue load limit - P _u	0.345 kN



BEARING PRECISION AXLE CORP.

Limiting speed for grease lubrication	28000 r/min
Ball - D_w	7.144 mm
Ball - z	21
Calculation factor - e	0.68
Calculation factor - Y_2	0.87
Calculation factor - Y_0	0.38
Calculation factor - X_2	0.41
Calculation factor - Y_1	0.92
Calculation factor - Y_2	1.41
Calculation factor - Y_0	0.76
Calculation factor - X_2	0.67
Preload class A - G_A	110 N
Preload class B - G_B	330 N
Preload class C - G_C	660 N
Calculation factor - f	1.15
Calculation factor - f_1	0.98
Calculation factor - f_{2A}	1
Calculation factor - f_{2B}	1.04
Calculation factor - f_{2C}	1.08
Calculation factor - f_{HC}	1.01
Preload class A	107 N/micron
Preload class B	161 N/micron
Preload class C	211 N/micron
d_1	56.7 mm
d_2	54.9 mm
D_2	67.7 mm
$r_{1,2}$ min.	0.6 mm
$r_{3,4}$ min.	0.3 mm
d_a min.	53.2 mm



BEARING PRECISION AXLE CORP.

d_a max.	56.1 mm
d_b min.	52 mm
d_b max.	54.5 mm
D_a max.	68.8 mm
D_b max.	70 mm
r_a max.	0.6 mm
r_b max.	0.3 mm
Basic dynamic load rating C	12.1 kN
Basic static load rating C_0	8.15 kN
Fatigue load limit P_u	0.345 kN
Attainable speed for grease lubrication	28000 r/min
Ball diameter D_w	7.144 mm
Number of balls z	21
Preload class A G_A	110 N
Static axial stiffness, preload class A	107 N/ μ m
Preload class B G_B	330 N
Static axial stiffness, preload class B	161 N/ μ m
Preload class C G_C	660 N
Static axial stiffness, preload class C	211 N/ μ m
Calculation factor f	1.15
Calculation factor f_1	0.98
Calculation factor f_{2A}	1
Calculation factor f_{2B}	1.04
Calculation factor f_{2C}	1.08
Calculation factor f_{HC}	1.01
Calculation factor e	0.68
Calculation factor (single, tandem) Y_2	0.87
Calculation factor (single, tandem) Y_0	0.38



BEARING PRECISION AXLE CORP.

Calculation factor (single, tandem) X_2	0.41
Calculation factor (back-to-back, face-to-face) Y_1	0.92
Calculation factor (back-to-back, face-to-face) Y_2	1.41
Calculation factor (back-to-back, face-to-face) Y_0	0.76
Calculation factor (back-to-back, face-to-face) X_2	0.67
Mass bearing	0.11 kg