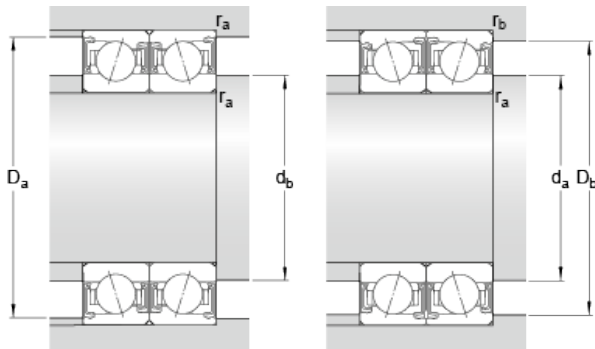




BEARING PRECISION AXLE CORP.



S7012 CDTP/HCP4B SKF High Speed Angular Contact Ball Bearings

Bearing No. S7012 CDTP/HCP4B

S7012 CDTP/HCP4B Bearing 2D drawings and 3D CAD models

d	60 mm
D	95 mm
B	18 mm
d ₁	70.8 mm
d ₂	70.8 mm
D ₂	86.74 mm
r _{1,2} min.	1.1 mm
r _{3,4} min.	0.6 mm
a	19.4 mm
d _a min.	66 mm
d _a max.	70.2 mm
d _b min.	66 mm
d _b max.	70.2 mm
D _a max.	89 mm
D _b max.	91.8 mm
r _a max.	1 mm
r _b max.	0.6 mm
Basic dynamic load rating C	40.3 kN
Basic static load rating C ₀	34.5 kN
Fatigue load limit P _u	1.5 kN
Attainable speed for grease lubrication	17000 r/min
Ball diameter D _w	11.112 mm
Number of balls z	19
Preload class A G _A	150 N
Static axial stiffness, preload	77 N/ μ m



BEARING PRECISION AXLE CORP.

class A	
Preload class B G_B	300 N
Static axial stiffness, preload class B	105 N/ μ m
Preload class C G_C	600 N
Static axial stiffness, preload class C	148 N/ μ m
Preload class D G_D	1200 N
Static axial stiffness, preload class D	214 N/ μ m
Calculation factor f	1.12
Calculation factor f_1	1
Calculation factor f_{2A}	1
Calculation factor f_{2B}	1.02
Calculation factor f_{2C}	1.05
Calculation factor f_{2D}	1.09
Calculation factor f_{HC}	1.02
Calculation factor f_0	15.4
Mass bearing	0.34 kg